

H.261 DIGITAL VIDEO ENCODER

FEATURES AND BENEFITS

Digitizes and compresses video input for transmission in synchronous EIA-422 format (EIA-530, V.35 compatible)

Data rate to 2.0 Mbps

ITU-T H.261 (p x 64) encoding

NSTC, PAL

Frame rate to 30 frames per second

Separate filtering and processing for luminance and chrominance signals

Extended temperature range [-20 to +70C] standard

Encoders and Decoders individually addressable

Industrial packaging

Self-contained with all processors on-board (no computer motherboard)

Simple user interface via Windows 95/98 program

Extensive diagnostics via 80 character LCD display, *including frame rate and device temperature*

8-28 VDC or 8-20 VAC
(110 VAC, 220 VAC or -48 VDC optional)

APPLICATIONS

Fractional T1/ E1, ISDN, leased line networks

High speed digital backbones requiring low data rate digital video interface

Remote video surveillance over telephone network

Highway/traffic monitoring

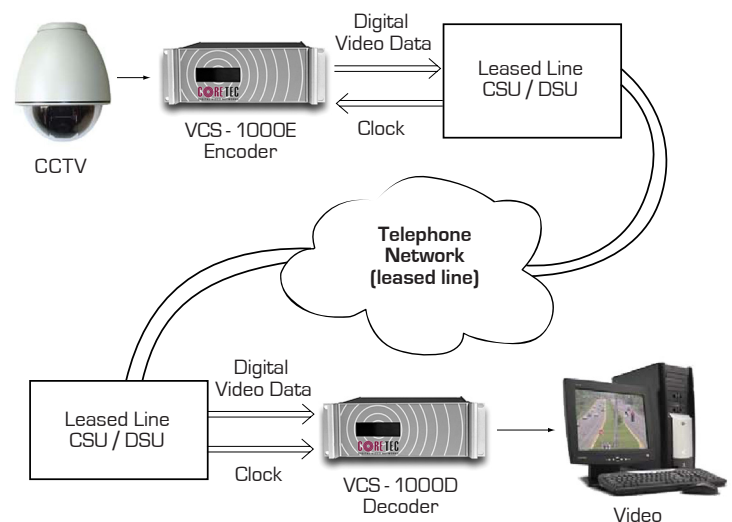
Mass transit systems

Telemetry



VCS-1000
Rackmount Size Encoder
(19"W x 1.75"H x 12"D)

TYPICAL CONFIGURATION





DIGITAL VIDEO NETWORKS

SPECIFICATIONS

INPUTS and OUTPUTS

Video
1 NTSC (EIA 170)
1 volt pk-pk 75 ohm, 60Hz
or
1 PAL (CCIR 624)
1 volt pk-pk 75 ohm, 50Hz

VIDEO PARAMETERS

Compression H.261 (px64)
Resolution NTSC PAL
SIF 352h x 240v 352h x 288v
Approximate Frame Rate*
2 fps at 64kbps
5 fps at 128 kbps
10 - 15 fps at 384 kbps
20 - 25 fps at 768 kbps
30 fps at 1 mbps*
Connectors BNC

PROGRAMMING PORT

Format RS-232
Connector 3-pin Phoenix type (removable)

INDICATORS 4-pin Phoenix type (removable)

NETWORK PARAMETERS

Data Rate 56 kbps - 2.048 Mbps
Format EIA-4.22, synchronous (V.35 and EIA-530 compatible)
Connector 4 line x 20 character display (data rate, quality level, frame rate, video status)

H.261 DIGITAL VIDEO ENCODER

VCS - 1000 Series

ENVIRONMENTAL

Temperature -20 to +74C
Humidity 0-95% non-condensing
* Conformal Coating Available Upon Request

POWER

8-28 VDC (20w maximum)
8-20 VAC

MECHANICAL

Dimensions 8.4" W x 3.5" H x 8.0" D
Notes:
1.) 19"rack mount option (2RU high)
2.) 2 units mount side-by-side in 19" rack mount
Weight 5lbs., 2 oz.

REGULATORY APPROVALS

North America FCC Title 47, Subpart B, Section 15, class A

ORDERING INFORMATION

VCS - 1000E Video Encoder
VCS - 1000D Video Encoder

PCA - 1000

PS - 1000

SW - 1000

VCS - EB

IC - 1000-V35

IC - 1000-530

ACCESSORIES

Programming Cable Assembly for VCS - 1000 Series
Power Supply for VCS - 1000 Series
User Interface Software for VCS - 1000
Extender brackets for single unit 19" mounting (per pair)
V.35 Interconnect Cable
EIA-530 Interconnect Cable



DIGITAL VIDEO NETWORKS

CoreTec Communications, LLC
2950 Lake Emma Rd, Suite 1030
Lake Mary, Florida 32746

Phone (407) 331-0547
Fax (407) 331-0656
Email: sales@coretec.com
Visit www.gocoretec.com